

NOTES:

ALL DIMENSIONS ARE IN INCHES

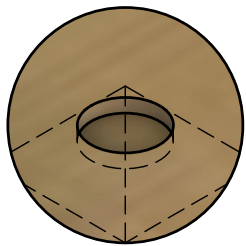
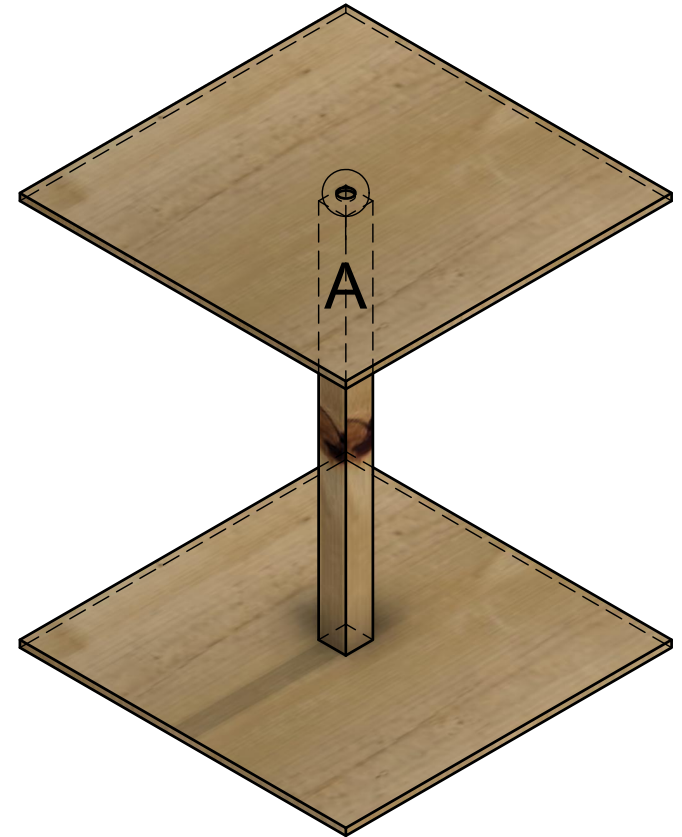
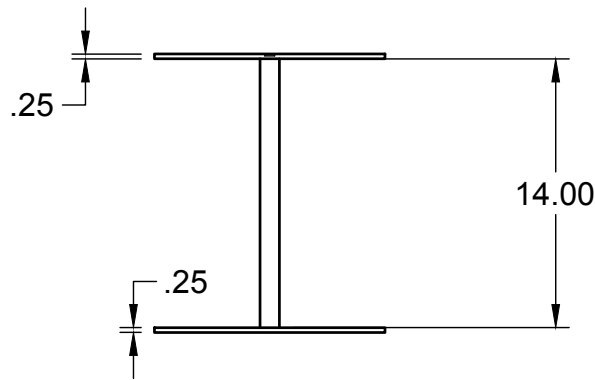
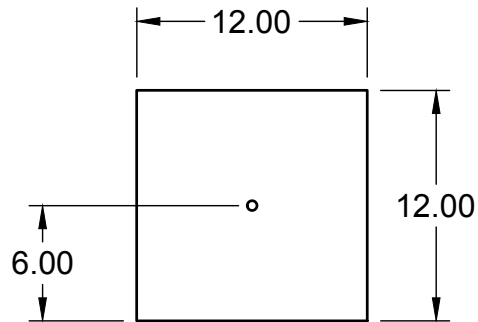
MATERIAL:

1/2 PLYWOOD UTILIZED (FOR TOP AND BOTTOM)

CENTER POST CAN UTILIZE ANY SQUARE WOOD PIECE(EX. 1 BY 1 OR 2 BY 2)

BOTH TOP AND BOTTOM POST ARE 12 IN. SQUARES

RECESED HOLE MUST BE PLACED IN THE TOP FOR SCREW AND TO ALLOW TENNIS BALL TO REST WITHOUT MOVING



**DETAIL A
SCALE 1:1**

| | | | | | |
|----------|----------------------|----------------------------------|-----------|-----------|--|
| | | PROJECT | | | |
| | | Landing Platform | | | |
| | | TITLE | | | |
| | | DroneComp_LandingPlatform | | | |
| APPROVED | SIZE | CODE | DWG NO | REV | |
| CHECKED | A | | | | |
| DRAWN | FultonScienceAcademy | 8/26/23 | SCALE 1:5 | WEIGHT | |
| | | | | SHEET 1/1 | |