

NOTE:

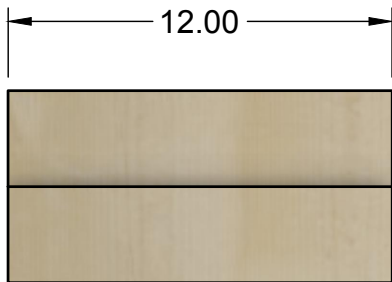
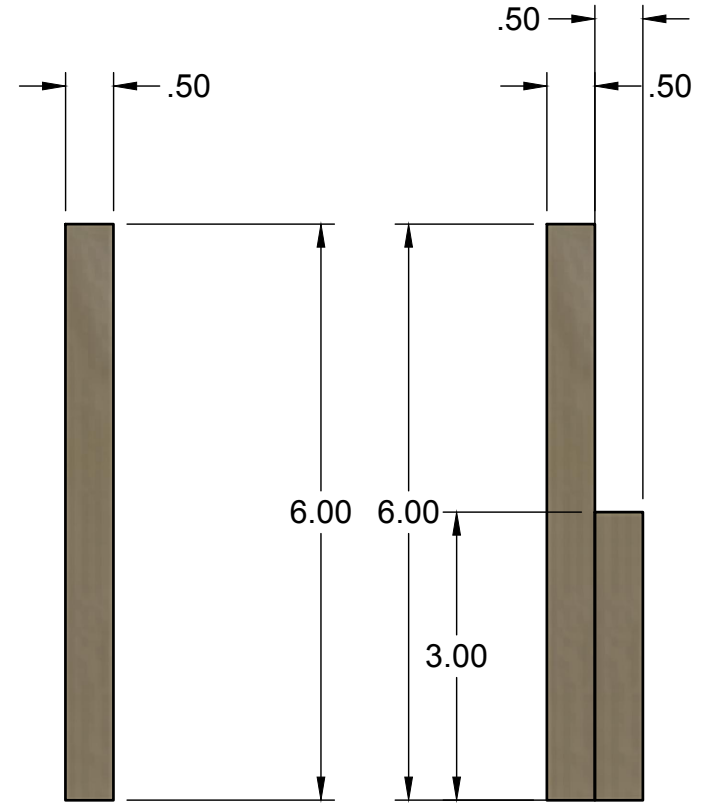
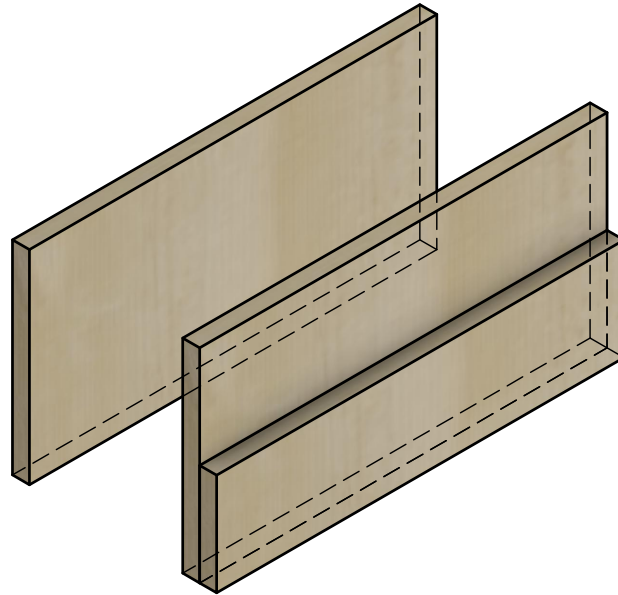
ALL DIMENSIONS ARE IN INCHES

MATERIAL:

0.5 PLYWOOD UTILIZED FOR ALL PARTS SHOWN

ANY FASTNERS SUCH AS SCREWS CAN BE USED AS LONG AS THE DON'T ALTER OR CHANGE DIMNESIONS

UTILIZE ONLY 2 SCREWS



		PROJECT			
		Falling Pieces			
		TITLE			
		FallingPieces_DroneComp			
APPROVED	SIZE	CODE	DWG NO	REV	
CHECKED	A				
DRAWN	FULTON SCIENCE ACADEMY	8/26/23	SCALE 1:2	WEIGHT	SHEET 1/1